



NetPwr 5kW Power Unit

NetPwr's 5kW Power Unit (NP5) produces *Clean - Green - Baseload* energy at extremely low operating costs that can be easily transported and installed anywhere on the planet.

Netpwr Power Units is a "Plug and Play" clean power unit, that produces no emissions, uses no toxic chemicals, and has a zero-carbon footprint.

NP5 is powered by a Enhance Magnetic Generator that provides constant power using an energy generation method known as "magnetic flux" as its fuel source.

- **Unrestricted:** Install anywhere on the Planet
- **Baseload:** Constant power, 24/7
- **Clean:** No fuel, No consumables
- **Zero Carbon Footprint:** Carbon Credits
- **Portable:** Installed and operating within a day
- **Affordable:** Low operating cost <\$0.06/ kWh
- **Long Life Span** 50+ years.
- **Power Density:** Same as Diesel Generators.



For illustrative purposes only. The actual NetPwr unit may differ.

Contact Information

Polaris Pwr Ventures, Inc.

Houston, Texas

w: www.polarispwrventures.com

e: r.schuster@polarispwrventures.com



NetPwr's NP5 Power Unit

Key Performance Parameters

| | | |
|-------------------------|-------|-----|
| Output Power Nameplate | kW | 5 |
| Peak Output Power | kW | 7 |
| Peak Operating Duration | hours | 1 |
| Energy Storage | kWh | 5 |
| Operating Life | years | 20+ |

Electrical Performance Parameters

| | | |
|--|------|--------------|
| Output Voltage (US Standard) | VAC | 110/220 |
| Output Voltage (International) | VAC | 120/240 |
| Frequency | Hz | 50/60 |
| Phase | | single phase |
| Output Connection | wire | 3 |
| Voltage Regulation, no load to full load | % | +/-1% |
| Frequency Variation | % | +/-0.50 |
| Total Harmonic Distortion | % | <5% |
| Noise (6 ft distance under 50% load) | db | <50 |
| Isolation mode | | No |
| Waveform distortion rate (THD) | % | |
| Dynamic Response (o to 100% load) | | 5%, <50mS |

Environmental Data

| | | |
|----------------------------------|---------|-----------|
| Operating temperature Range | DegC | -20 to 60 |
| Storage Temperature Range | DegC | -20 to 55 |
| Maximum Operating Humidity Range | %RH | 98 |
| Maximin Storage Humidity Range | %RH | 98 |
| Maximum Operating Elevation | meters | 4000 |
| Maximum Storage Elevation | meters | 4000 |
| Ventilation | Yes/ No | Yes |
| Heating / Air-conditioning | Yes/ No | No |

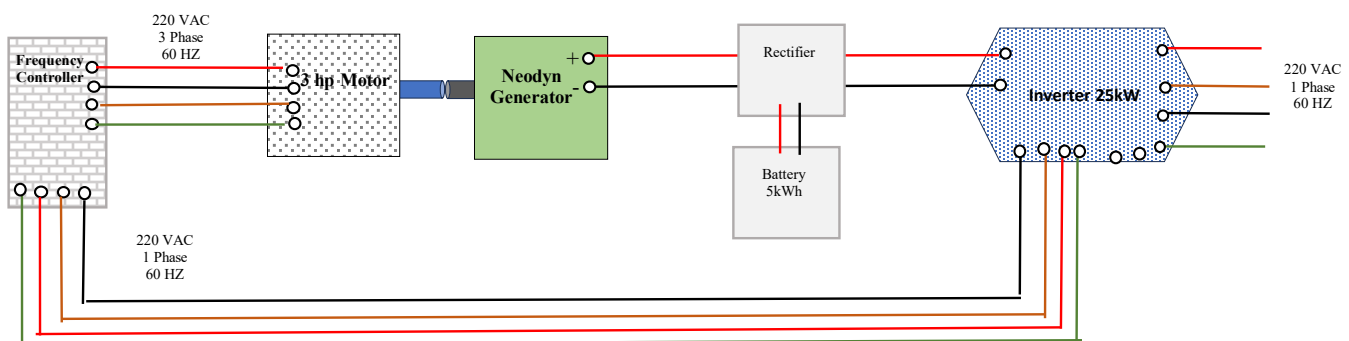
Physical

| | | |
|--------------------|------|----------|
| Weight | kg | 160 |
| Dimensions (LxWxH) | inch | 34x24x24 |

System Monitoring

| | | |
|--------------------------|---------|-------|
| Communication Interface | | RS485 |
| Overload Protection | Yes/ No | Yes |
| No Load Protection | Yes/ No | Yes |
| Smoke / Fire Detection | Yes/ No | Yes |
| Temperature Monitoring | Yes/ No | Yes |
| Short Circuit Protection | Yes/ No | Yes |
| Fire Suppression | Yes/ No | No |
| Theft Protection | Yes/ No | Yes |
| System Performance | Yes/ No | Yes |

Basic Configuration



Disclaimer: Disclaimer: All specifications are subject to change without notice. All operating parameters, including typical parameters must be validated for each customer application by the customer technical experts. Pictures are for illustration purposes only. The actual unit may differ.